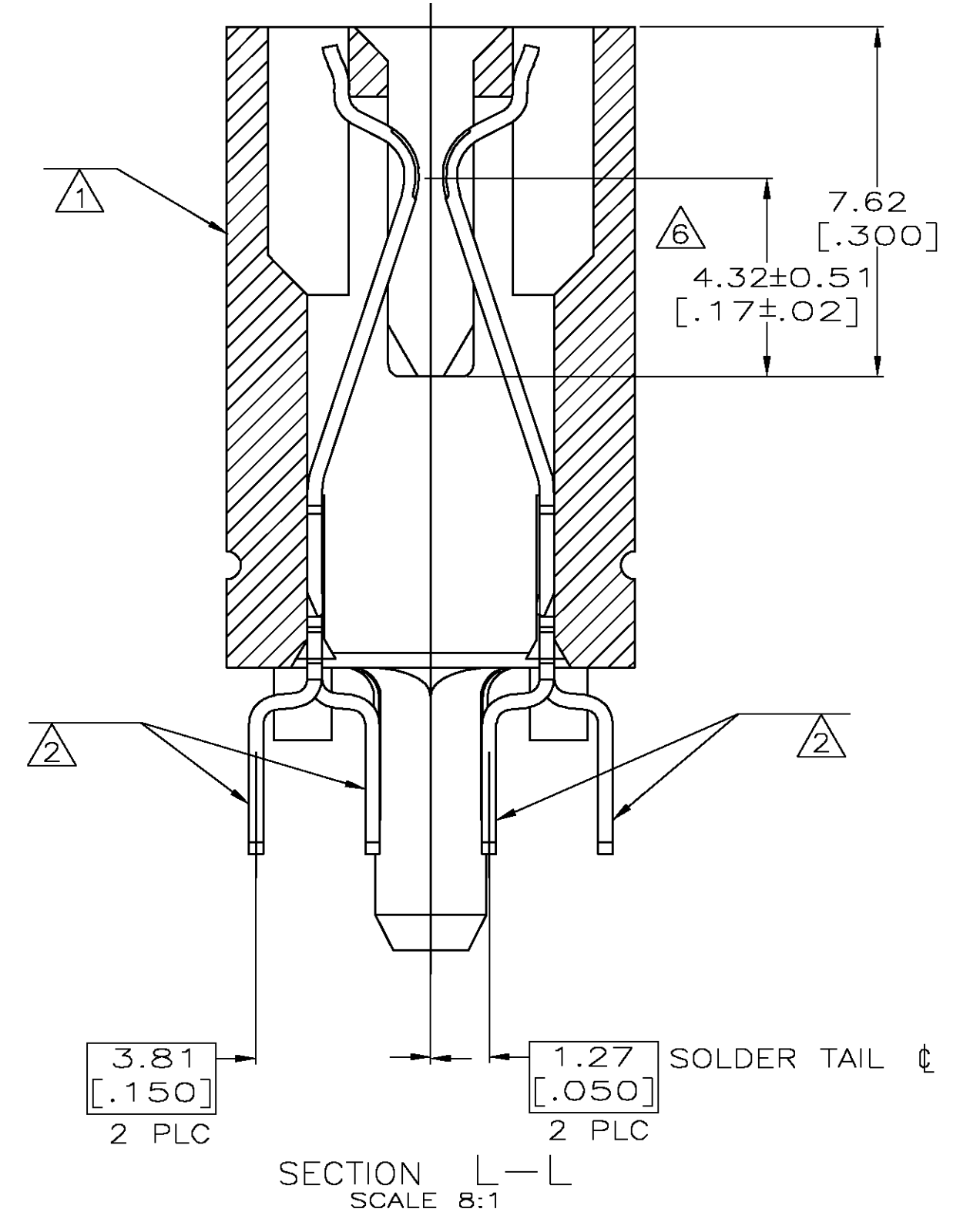
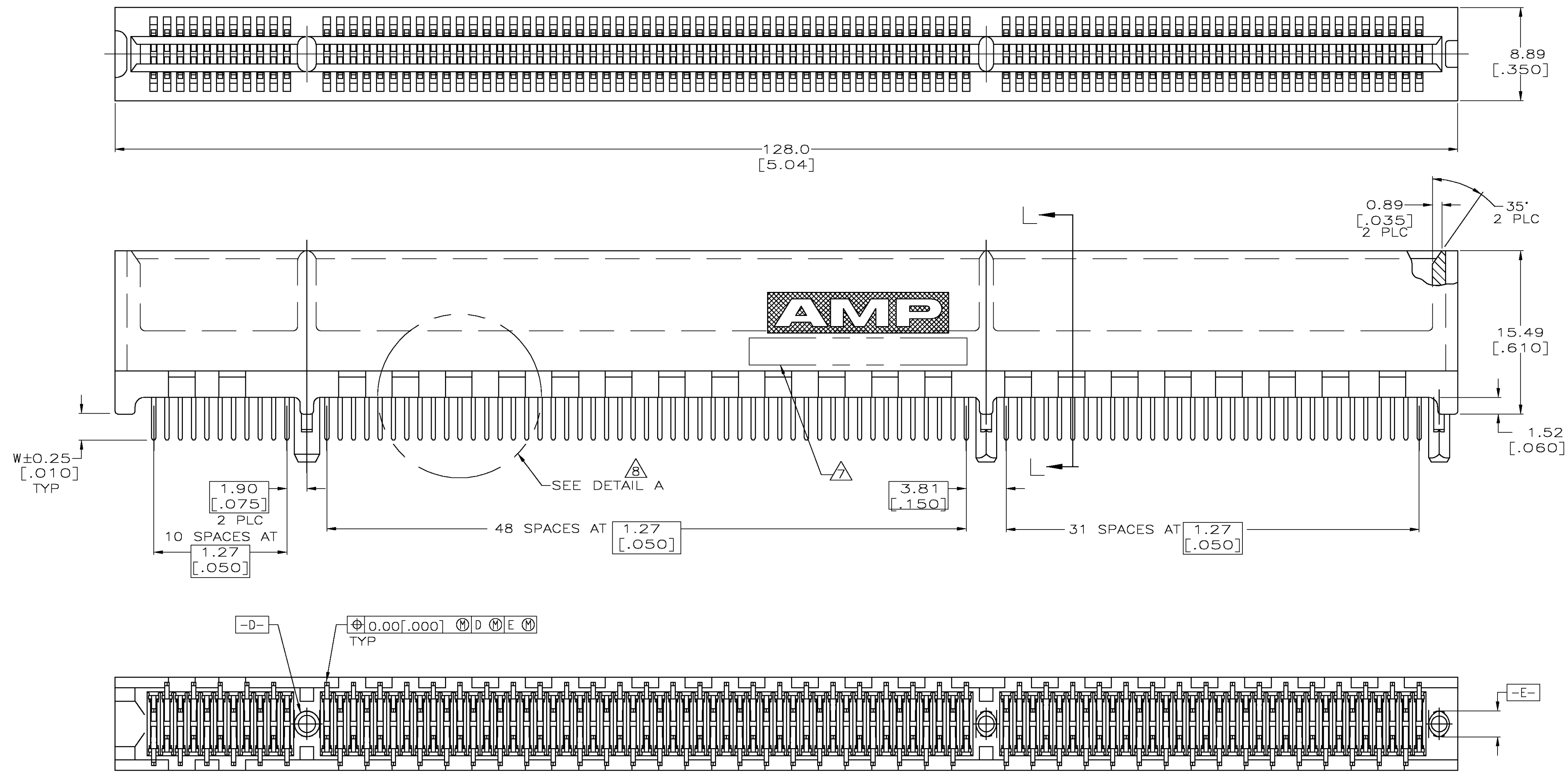
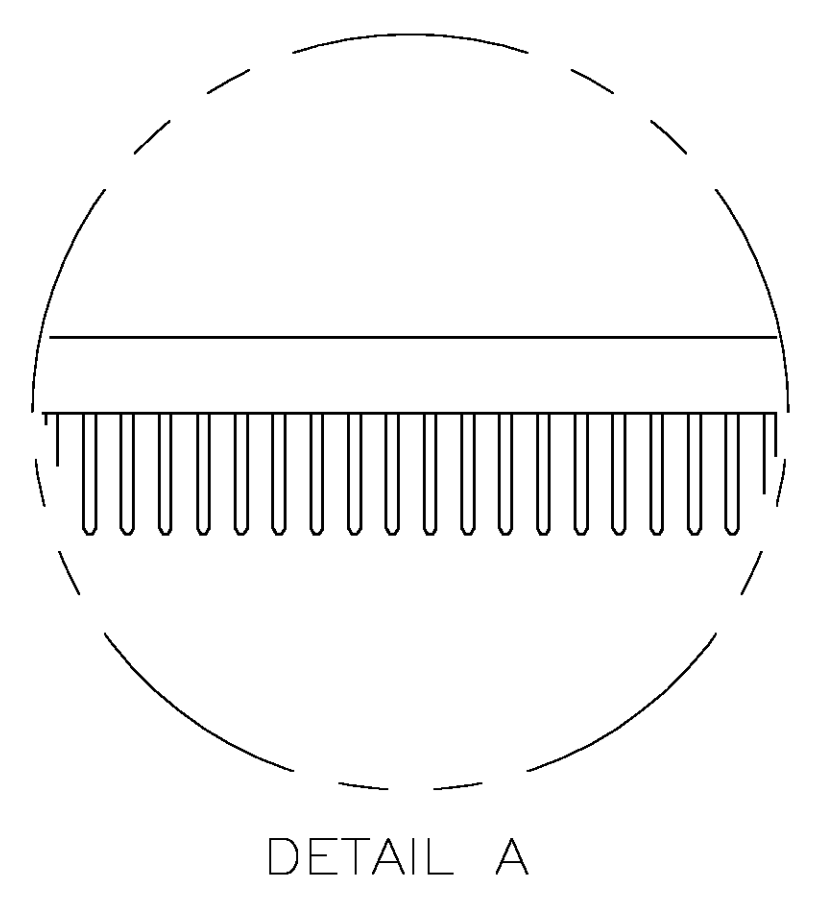


SEE SHEET 2 FOR NOTES



SEE SHEET 2 FOR HOLE PATTERN



OBSOLETE, SUPERSEDED BY -4-

OBSOLETE

3.56 [.140]	1-145165-2
3.17 [.125]	145165-8
2.54 [.100]	145165-4
2.54 [.100]	145165-3
2.54 [.100]	145165-2
2.54 [.100]	145165-1
W	FINISH
	PART NUMBER

THIS DRAWING IS A CONTROLLED DOCUMENT.		DMN R BROWN 6/12/95	Tyco Electronics Corporation Harrisburg, Pa 17105-3608
DIMENSIONS: mm [INCHES]		APVD M BOWERS 6/12/95	
TOLERANCES UNLESS OTHERWISE SPECIFIED:		PRODUCT SPEC	CONNECTOR ASSEMBLY, 92 DUAL POSITION, .050 SERIES,
0 PLC ± -		108-14034	
1 PLC ± -		APPLICATION SPEC	RESTRICTED TO
2 PLC ± 0.25(.01)		114-26012	
3 PLC ± 0.13(.005)		SIZE	SCALE 4:1 SHEET 1 OF 2 REV H
4 PLC ± -		A1 00779 C=145165	
ANGLES ± -		WEIGHT	
FINISH		CUSTOMER DRAWING	

